

## HMAS SUCCESS Bridge Wing Extensions

---

### Engineering Assessment - Structural

*Date:* May 2006

---

*Client:* Australian Navy

*Project Summary:* Evaluation of alternative options to the feasibility of extending the Gun Direction Platform (GDP) over the bridge wings on HMAS SUCCESS.

---

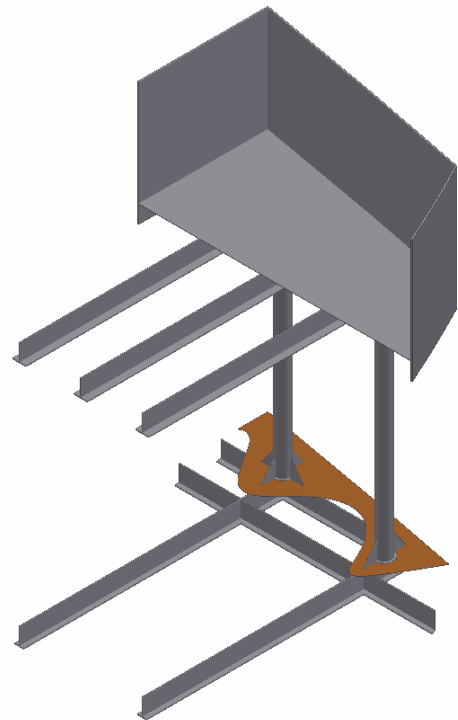
SOFRACO was contracted to complete an engineering assessment investigating alternative options to the feasibility of extending the Gun Direction Platform (GDP) over the bridge wings on HMAS SUCCESS.

To provide improved defence of the ship the option of extending the bridge wings to enable a 50 calibre gun or mini typhoon system was investigated. This primarily involved the preliminary design of structure that could be added to the deck to support the loads (including recoil) for the installation of the guns.

In addition to the new structure the existing deck structure was assessed for its capability to withstand the additional loading. As this was a lightly stiffened area it required additional stiffening to be added to tie the new deck sections back to the main ship structure.

The assessment also considered the equipment in the area and the extent to which it would require relocation or modification.

As a deliverable SOFRACO provided an extensive report which included concept drawings and estimated pricing for two options for the proposed conversion.



**CAD Model of Proposed Extension**



**HMAS SUCCESS  
(arrow showing proposed location of extensions)**